



GENUINE PARTS

INSTALLATION INSTRUCTIONS

DESCRIPTION: BALL MOUNT KIT

APPLICATION: SEE DEALER APPLICATION CHART

PART NUMBER: BALL MOUNT KIT (999T5 G2150)

NOTE: Installation of this accessory requires installation of additional Part(s):

- HITCH KIT (999T5 G2100)
- CLASS I HITCH BALL (999T5 VT010)
- WIRE HARNESS (999T8 G200)

KIT CONTENTS:

Item	Qty.	Part Description	Service Part Number
A	1	Ball Mount	----
B	1	Pin	----
C	1	Cotter Pin	----
D	1	Installation Instruction Replacement Template (Web Posted)	999V2 AW000
E	1	Installation Instructions (Web Based)	999T5 G2150II



A



B



C



D

TOOLS REQUIRED: NONE

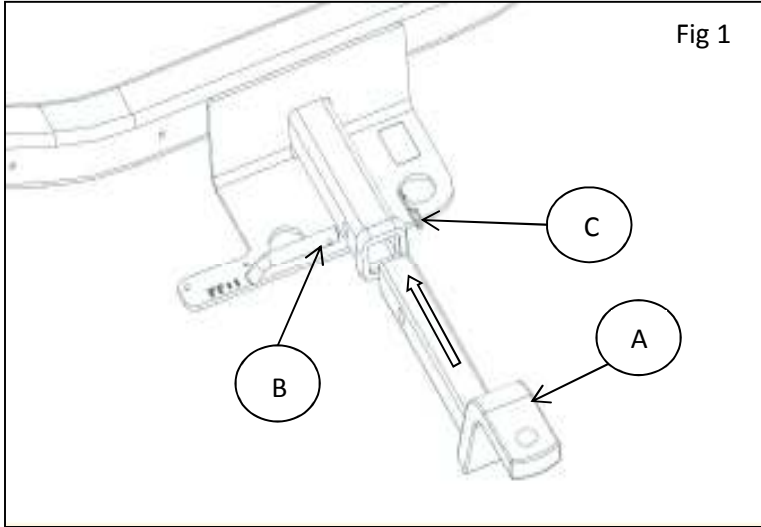
PRE-INSTALLATION WARNINGS, CAUTIONS, CRITICAL STEPS, and NOTES:

- Dealer Installation Recommended. Instructions May Refer To Service Manual.
- This Product Complies With SAE J684 V-2.
- Refer To Owners Manual For Towing Capacity.

WARNING

- **VEHICLE TOWING CAPACITY MAY DIFFER FROM HITCH RATING.**
- **Ensure kit components are properly stowed when not in use. Improperly stowed components could become a projectile and result in serious personal injury during a collision or sudden stop.**

Installation Procedure:



- 1) Insert ball mount A into receiver opening. As shown in Fig 1.
- 2) Align holes on receiver tube with holes on ball mount and slide pin B through opening.
- 3) Insert clip C through holes in pin. Make sure that clip is securely fastened.